

2-WHEEL

# MGB 120-360 SL



# WHICH SIDE DO YOU STAND ON?

## ON THE SAFE SIDE

As a product optimised for side loaders, SL stands for efficiency and flexibility and is clearly recognizable by the vertical reinforcing beading on the front and rear sides. The latest structural and ergonomic know-how has been incorporated into all ESE SL containers. The integrated foot step protects the user's back whilst the noise reduction in the wheel mounting area ensures quiet operation.

## 1. FUNCTIONAL AND CONFORMING TO STANDARDS

ESE always considers the entire logistic and application chain when designing products, including requirements for filling, emptying, handling and health and safety. The MGB fulfils all current European and national standards and is certified in accordance with the highest quality standard worldwide, the RAL-GZ 951/1.

## 2. ROBUST

Advantages of HDPE material:

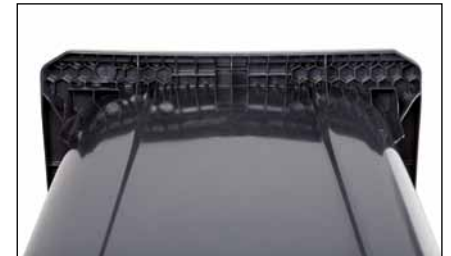
- Environmentally friendly
- Long life expectancy
- Can be recycled
- Frost-proof
- Chemical resistant
- High UV light resistance



SL lid with handle strip on three sides



Ergonomically optimised handle



Robust comb receiver for lifting and emptying

## TECHNICAL DATA

MGB	120 SL	180 SL	240 SL	360 SL
Nominal volume (l)	120	180	240	360
Weight of container (kg)	9	12	13	16
Max. permissible weight (kg)	60	90	110	160
A Overall height (mm)	974	1065	1079	1112
B Overall width (mm)	479	479	583	585
C overall depth (mm)	555	744	737	880
D Height to upper edge comb (mm)	905	990	1005	1020
E Wheel diameter	200/250	200/250	200/250	200/300

## SELECTION OF OPTIONS

- Locking devices
- Various recycling inserts
- Individual identification
- Noise reduction
- Identification systems
- Holder for refuse bag
- Foot-operated lid opening
- Highway post



120 SL



180 SL



240 SL



360 SL

### 3. COMPREHENSIVE STANDARD

- Modern design
- Beading for stabilisation on the front and rear of the container
- DIN comb receiver with honey-comb ribs for strength
- Easy tilting on the rear wheels to get over kerbs through an ergonomically designed foot step
- Handle diameter and design ensure safe handling of the ESE SL
- A smooth internal surface ensures easy emptying and cleaning

- Prepared for gravity lock
- The entire SL range is available with wheel diameters of 200 or larger as an option
- Low noise wheels (except for 360 SL)
- Storage of axle on the body of stacked containers (except for 240 SL)
- Colours: 16 standard colours; additional colours on request

### MULTIPLE OPTIONS

- 120 SL with third handle
  - Position of handle in the lower front area makes handling easier when used in basements
- Individual identification
  - Hot-foil stamping, e.g. council name, council crest
  - Injection embossing of text
  - In-mould labelling: indestructible stickers integrated in the plastic material of the container



120 SL with optional third handle

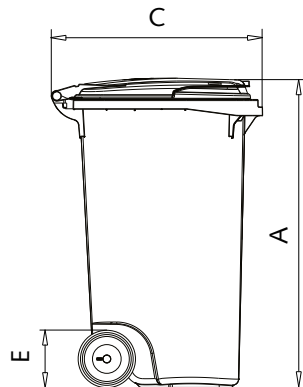
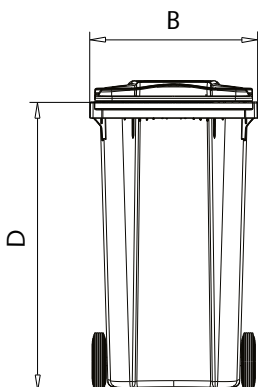


Gravity lock on request



Wheel diameter 200 or larger (option)

### DIMENSIONS



Ergonomic foot step



## SUSTAINABILITY IN PRODUCTION AND DELIVERY

ESE operates responsibly to conserve natural resources, including the reduction of CO<sub>2</sub> emissions and energy reduction in the production of plastic containers. Decades of experience and development has been invested in secondary raw materials. Robust products are a priority and

ESE believes that modular design and material optimisation characterises the quality of its products. Construction is based on computer simulation and system experience, which has led to a range of sustainable products. Individual components are inter-changeable and easy maintenance means that

products are long-lasting. EN 840 and RAL certification guarantee the highest quality. Production at five European factories and the implementation of an optimized supply chain strategy lowers fuel consumption for transportation.